



DREAM LIGHT Workshop

User Manual



DLW 480BSW IP

Guangzhou Dream Lighting Equipment Co., LTD

Contents

Safety Information	3/4
Package & Transportation	5
Fixture Package	5
Transport protection lock	5
Unpacking	5
Accessories with fixture	5
Product Technical Specifications	6
Electrical parameters	6
Light Source parameters	6
Effect configuration	6
Fixture Movement	6
Electronic Control	6
Color System	7
Gobo System	8
Fixed Gobo Wheel	8
Rotation Gobo Wheel	8
Gobo Specification	8
Fixture size & Weight	9
Operation Panel	9
Operation Panel Instructions	9
Detailed Operation Table of Display panel	10/11
Signal Connection	12
Power Connection	13
Connection type	13
Installation Instruction & Requirement	14
G-clamp Installation	14

Fixture Installation 14

 Fixture Placement 15

Lamp Installation 16

 Replace the lamp 16

DMX Channel Sheet (Brief) 17

DMX Specific Channel Sheet 18/19/20

Maintenance & cleaning of the fixture 21/22

Attachment 1:Angle range and the measurement figure of the fixture 23/24

Attachment 2:Electrical Diagram 25

Safety Information






Note: Please check the complete package after received , and please unpack and check if the fixture is damaged during shipping. If the fixture is damaged during shipping, please do not use it and contact the manufacturer/local technicians as soon as possible.

The following identifications are used to identify the product and identify the important safety information in the user manual.

Warning!	Warning! See user documentation.	Warning! Hazardous voltage. Risk of lethal or severe electric shock.	Properly grounded	Warning! Intense light emission.	Warning! High surface temperature Don't touch!	Warning! Must wear gloves!
				$t_a \dots ^\circ\text{C}$		
Warning! Fire hazard.	Do not stare at the operating light source	Do not interfere with the track of the operating fixture	Minimum distance of illuminated objects(m)	Rated maximum ambient temperature!	Don't install the fixture on the surfact of combustible materials!	Replace any cracked protective shields

Notes:

- The fixture is used professionally only, please don't used it for any other purposes.
- Please refer to the latest user manual before using the fixture. The fixture is out of warranty if problems are caused by any incorrect use or negligence of the user manual.
- The protection level rate is IP66.
- In order to avoid damage the fixture, it is required more than 1 person when moving the fixture. When hanging the fixture, the hanging device must be tested. The hanging device should be able to bear more than 6 times of weight of the fixture.
Please make sure the housing and G-clamp are fixed and do not have damage after installed. Please use the safety chain to keep the fixture fixed on the truss safely.
- The fixture should be installed in a well-ventilated place. Keep the distance of the fixture and the obstacles more than 0.6 meter, and please check the fans and ventilation hole sare not blocked.

- Please don't install the fixture on the surfaces of the inflammable goods directly.
- Please check the voltage before the professional technicians install the fixture.
The voltage must be the same with the voltage which marked on the fixture.
Overloading protection or leakage protection are also required.
- When replacing the fuse of a fixture, please check whether the fuse meets the specified technical requirements. Do not replace or short-circuit it without allowed. Please confirm whether the input voltage meets the specified technical requirements and is correctly grounded before powering on.
- Please cut off the power supply when replacing the fuse. ()
- Rated maximum ambient temperature when the fixture is working: $t_a = 40^{\circ}\text{C}$.
- The safe/shortest distance to the illuminate object: 20m.
- When the fixture working stably, the maximum surface temperature: $t_c = 100^{\circ}\text{C}$.
- The shortest safety distance to combustible material: 0.7m.
- Please don't touch the fixture when it is working stably. It's highest surface temperature can reach 85°C .
- The fixture must be positioned in such a way that it is not subjected to prolonged observation from a distance of less than 15 meters.
- Please pay attention to severe or hazard damage caused by the shock from fire or heat, the UV violation, lamp explored or falling down.
- Please don't look at the lighting fixture without any eye protection.
- Please don't power off the lamp or cut off the power supply when it is working in 5mins, because of the special necessary of Metal halide discharge bubbles. Please reset it or move it or open it after power off for 15mins or cooling completely.
- Please change the lamp when it is damaged or thermal deformation.
- Please replace the protective cover and lens if any visible damage happened or the damage has reached the malfunction level. ( )
- The fixture must be installed, operated, and maintained by professionals strictly according to the user manual.
- All the information of the user manual is for your reference only. All fixtures should be subject to the actual product, which is subject to change without prior notice.

Package & Transportation

Fixture package

- Please cut off the power supply and cool it down for over 15minutes before packing the fixture.
- Lock the protection lock for tilt well.
- Please place the fixture in the plastic bag, and then carefully put it into the flight case vertically, the accessories are placed at special area in flight case, then close the lid and lock the flight case. Please don't put it upside down.

Transport protection lock

- Protective locks for tilt movement are installed in the fixture for safe transportation.

Unpacking

- Open the packing box, and then open the inner packing bag.
- Grasp the handle of the fixture, take it out from the case carefully.
- Unlock the protective lock before power on the fixture.

Notice: Please check the complete package after received the fixture, please check whether the fixture is damaged or not during shipping after opened the packing. If the fixture is damaged during shipping, please don't use it first, and contact the manufacture/local technicians as soon as possible.

Accessories with fixture

Accessories	Qty
User Manual	1
Warranty Card	1
Safety Chain	1
Signal Cable	1
Power Cable	1
Fixture Hook	2
Hexagonal stainless steel screws M10x25	4
Stainless steel screws spacer \varnothing 10	4

Product Technical Specifications

Electrical parameters

AC 100 - 240V 50 / 60 Hz

Rated Input Power:700W rated electrical current:7A,PF≥0.98

Light Source parameters

- Light source:OSRAM SIRIUS HRI 482W
- Output angle:beam angle 1.8°~30° ,fogging angle:4°~35° .

Effect configuration

- Independent frost effect.
- Mechanical dimmer 0-100%.
- Fast strobe device, multiple strobe effects optional,pulse/asynchronous/synchronous/slow-medium-fastat random.
- 8prism+16prism+6 color discs,can be stacked out of the multi-layer beam effect, can be Bi-directional rotation combination,Bi-directional rotation.

Fixture movement

- PAN=540° , 16bit precision adjustment.
- TILT=270° , 16bit precision adjustment.

Electronic Control

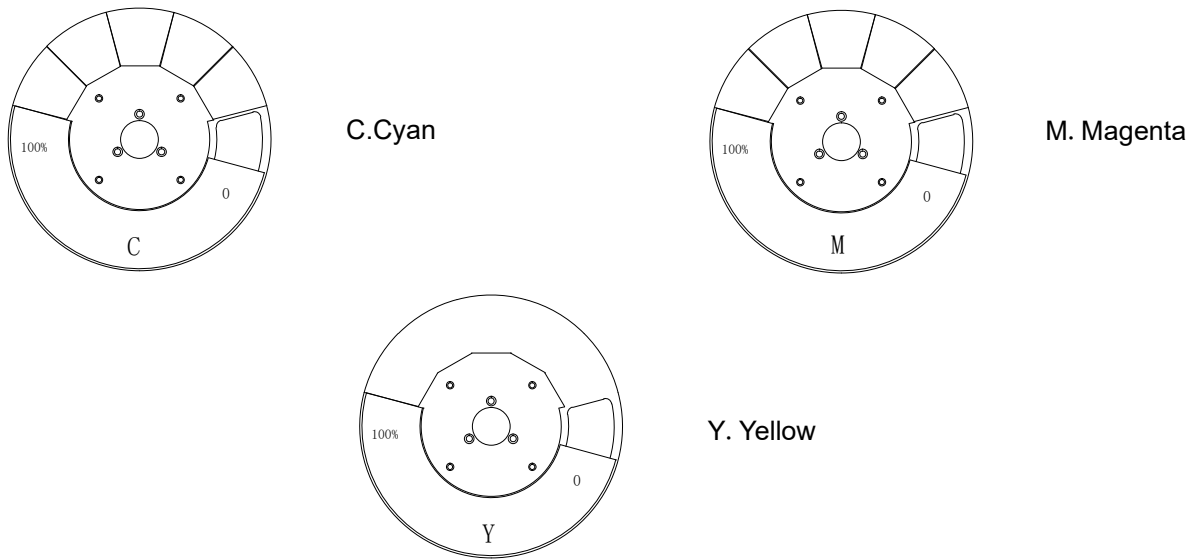
- Channel:24Ch/28Ch/36Ch.
- Control Protocols:DMX512,RDM,Art-Net,sACN,wireless function(optional).
- Control Portals: XLR-3+ XLR-5; RJ45 (optional).
- Menu display: 2.4" LCD screen; choice of Chinese and English language, menu available to be displayed 180° reversely.
- Built-in self-rechargeable battery, menu can be edited without power supply (optional version); Support connecting with power bank to enter the menu and edit address code and other settings.
- Electronic sensors testing, fan intelligent detect and controllable.
- Eco mode(sleep mode when standby).
- Non-touching magnetic encoder positionable system for pan/tilt.

Color System

● 4 color wheels, 3 of which are equipped with CMY, and 1 independent color wheel with 3 color temperature chips(2500K,3200K,8000K),8 color chips+1 white,can achieve hidirectional color rainbow,step,sliding gradient color mode,4 color wheel superimposed to produce richer colors.

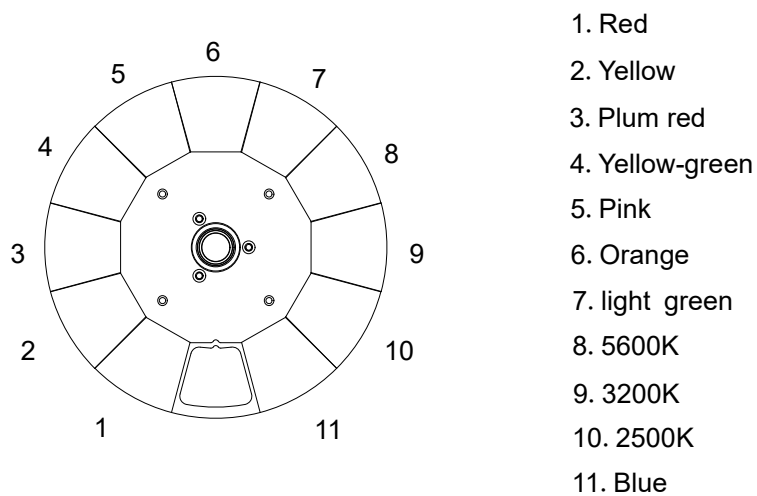
● Uniform light spot effect can be achieved when the homogenizing sheet entering in the color wheel.

● CMY induction color mixing.



Pic1

● 1 color wheels with 11color chips+1 white light,which can realize two-way color rainbow,step and sliding gradient color mode.

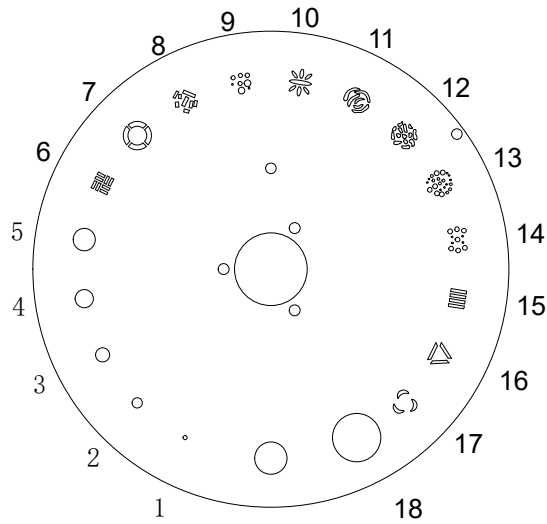


Pic2

Gobo System

Fixed Gobo Wheel

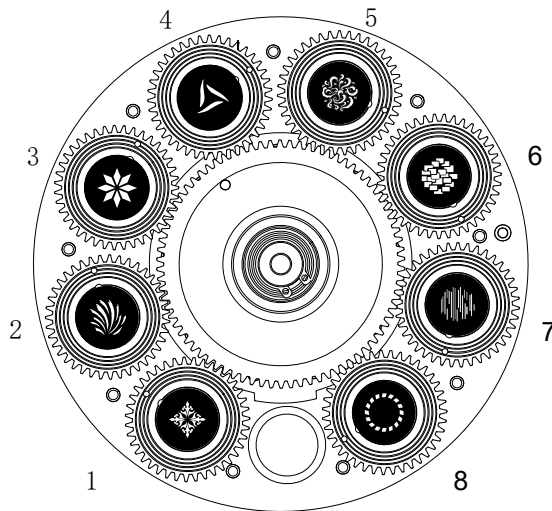
- 1 fixed gobo wheel with 18 gobos+ white to make water running, and shaking effect. (Pic 3)



Pic3

Rotation Gobo Wheel

- 1 rotation gobo wheel with 8 gobos(pluggable)+white, to make auto-rotating, gobo wheel positioning(Pic4))



Pic4

Gobo Specifications

- Gobo unit is made of metal, and can be customized according to the requirements of users:

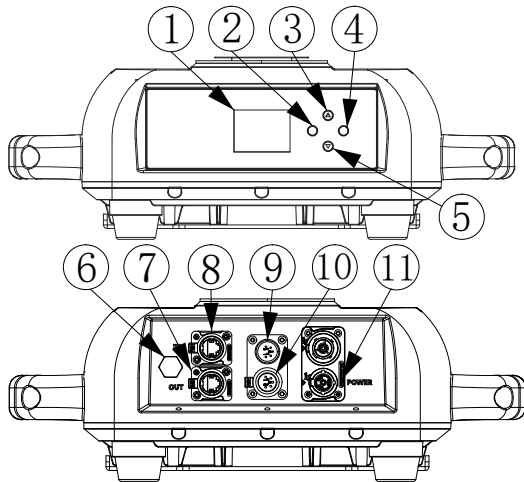
Gobo custom size available

Material	Outer diameter	Effective Diameter	Thickness
Metal pattern pieces	∅ 16.4mm	∅ 10mm	0.5mm
The metal pattern pieces are made of high temperature resistant metal with one side matte black coating.			

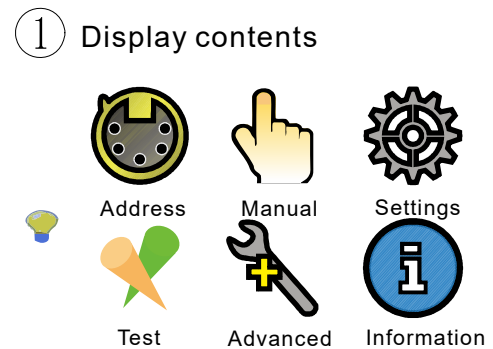
Fixture Size& Weight:

- Fixture size:433X433X800mm
- Net weight:49Kg
- IP Grade:IP66
- Flight case: 935X530X630mm(1 flight case 1)
- Flight case net weight:26kg

Operation Panel



Pic5



Pic6




As shown in pic 5:




- | | | | |
|----------------|--------------|-------------------|---------------|
| 1.LCD display | 4.Enter | 7.Ethernet output | 10.DMX output |
| 2.Menu(Return) | 5.Down | 8. Ethernet input | 11.Power |
| 3.Up | 6. Air valve | 9.DMX input | |

Operation Panel Instructions

- Up Direction key:Select Sub-menu cyclically(upward).Circulate downward to adjust data value.
- Down Direction key: Select Sub-menu cyclically (downward). Circulate downward to adjust data value.
- Left Direction key(Back):Back to menu.
- Right Direction key(Confirm):Confirm the selected data value or select cyclical data window.

Detailed Operation Table of Display panel

Specification 	1.Pan Inverse	Off, On	
	2.Tilt Inverse	Off, On	
	3.PT Encoder	Off, On	
	4.PT Speed	FAST, NORMAL, SLOW	
	5.Dim Curve		
	6.LED PWM		
	7.Dim Speed	Speed1,Speed2,Speed3,Speed4	
	8.FAN mode	LOW, NORMAL, HIGH,AUTO	
	9.Display blackout	Off, On	
	10.display inverse	Off, On	
	11.KEY LOCK	Off, On	
	12.Language	English,Chinese	
	13.Sleep Mode	Off, On	
	14.Fixture	
	EXIT		
Manual 	1.Channel		
		1.Pan	000~255
		2.Tilt	000~255
		3.Strobe	000~255
		4.Dimmer	000~255
		5.Focus	000~255
		6.Zoom	000~255
		7.Cyan	000~255
		8.Magenta	000~255
		9.Yellow	000~255
		10.CTC	000~255
		11.Color wheel	000~255
		12.Gobo	000~255
		13.R-Gobo1	000~255
		14.Fixed GOBO	000~255
		15.Prism1	000~255
		16.Prism2	000~255
		17.PrismR	000~255
		18.Color7	000~255
		19.Frost	000~255
		20.Macro	000~255
		21.Lamp control	000~255
		EXIT	
	2.Reset	NO, YES	
	3.Lamp control	Off, On	
	EXIT		
Address 	1.DMX512 Address	001~512	
		EXIT	
	2.Channel Mode	Basic	
		Standard	
		Extend	
		EXIT	
	3.No DMX Mode	Dmx hold	
	Black out		
	EXIT		
	EXIT		

Information 	1.Fixture Hour	Fixture Hour	XXXXXX
		LED Hour	XXXXXX
		EXIT	
	2.Version	PANEL Ver :	XXXX
		XY Ver:	XXXX
		DRV1 Ver:	XXXX
		DRV2 Ver:	XXXX
		DRV3 Ver:	XXXX
		DRV4 Ver:	XXXX
		EXIT	
	3.Temperature	PANEL Temperature :	XXX-XXX
		XY Temperature:	XXX-XXX
		DRV1 Temperature:	XXX-XXX
		DRV2 Temperature:	XXX-XXX
		DRV3 Temperature:	XXX-XXX
		DRV4 Temperature:	XXX-XXX
		EXIT	
	4.Fan Speed	PANEL Fan :	XXXX-XXXX
		XY Fan:	XXXX-XXXX
		DRV1 Fan:	XXXX-XXXX
		DRV2 Fan:	XXXX-XXXX
		DRV3 Fan:	XXXX-XXXX
		DRV4 Fan:	XXXX-XXXX
		EXIT	
5.RDM ID	XXXXXXXX		
	EXIT		
6.System Error	NONE		
	EXIT		
	EXIT		
Advanced 	1.Factory Reset	NO, YES	
		EXIT	
	2.Fixture Time Reset	NO, YES	
		EXIT	
	3.LED Time Reset	NO, YES	
	EXIT		
4.Calibration	NO, YES		
	EXIT		
	EXIT		
Test 	1.Auto test		
		NO	
		YES	
		EXIT	
	EXIT		

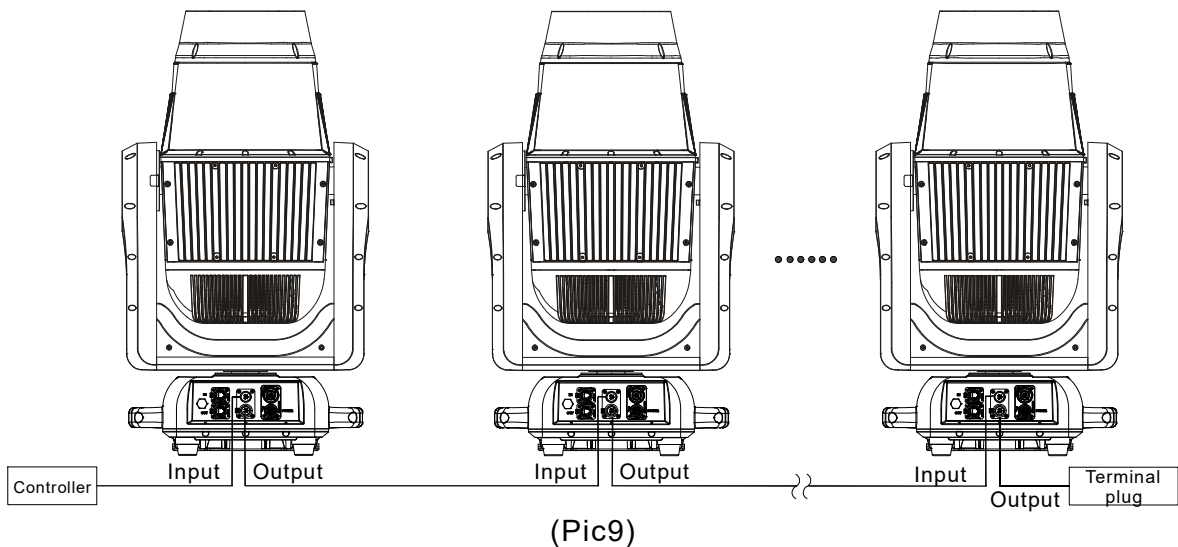
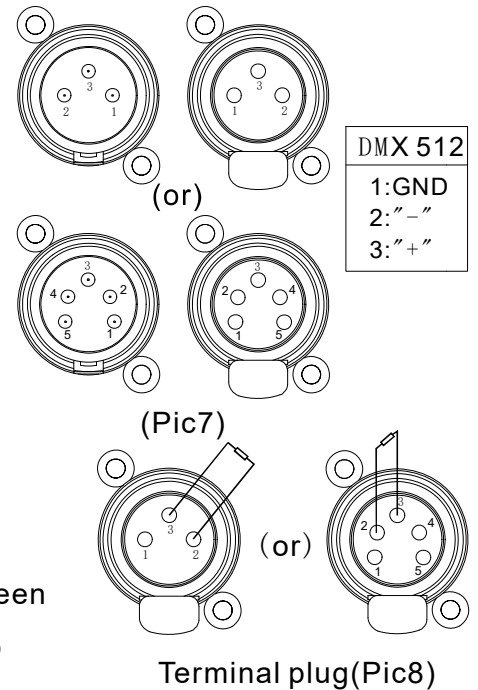
Signal connection

The fixture adopts 3pin/5pin socket to control DMX input and output, Pin1 is connected to grounded, Pin2 is connected to"-", Pin3 is connected to"+"(Pic7).

Please adopt professional DMX512 STP signal cable, usually its effective range is within 150m. When long distance signal transmission is required, please add DMX 512 signal amplifier.

To avoid the signal reflection during the transmission, please add a terminal which is 120Ω 1/4W resistance between DMX output pin2 and pin 3 of the last fixture. Plug the pin to the DMX output connector of the last fixture. (Pic8)

Connect the fixture from the DMX output of controller to DMX input of the first fixture, and then connect the first fixture's DMX output to the second fixture's DMX input and so on, until all fixtures are being connected. Then please install a terminal plug in DMX output of the last fixture. (Pic 8) The method of connection as show bellow. (Pic 9)



- Notice:
- Don't use multi- output connector for connecting separately, It must connect the branch with DMX512 signal amplifier to separate them if it is required.
 - Standard amplifier cable is not reliable for long-distance data transmission; Please adopt professional DMX 512 STP signal cable.
 - The signal of the fixture only has one input and one output. Two input/output for each fixture are not available.

Power connection

Input voltage and frequency must be identical to the voltage and frequency marked on the fixture. When many fixtures are working at the same time, it is strongly recommended to control each fixture on/off individually.

Connection type

	Live or L	Neutral or N	Earth, Ground or ⊕
US system	Black	White	Green
EU system	Brown	Blue	Yellow/green

Notice:

- When connect power supply, please make sure the E line (yellow & green.) is properly connected. And it is corresponded with the relative electrical installation standards.
- Insulation class between LV power supply and controlling conductor: I
- Please confirm the voltage of the power supply is corresponded to the voltage on the fixture's identifications before professionals install it. Please also make sure it has overload or leakage protection.
- If the external cable is damaged, don't change it by yourself, please contact the manufacture/local as soon as possible.
- AC220V: Lighting fixture connection not surpass 3 units (2.5mm²).
- AC110V: Lighting fixture connection not surpass 2 units (12AWG).

Installation instruction& requirement

The user need to arrange regular safety inspection for the fixtures and parts that are connected to the fixture. Please have professionals to operate if operating conditions and professional instructions are insufficient. Incorrect installation by non-professionals may leading to property loss or life danger.

Make sure there is no damage to rigging and clamps and they can bear at least 6 times weight of the fixture. Check if the truss or pipe construction can bear at least 6 times total weight of all equipment, like clamps, cables and other accessories.

G-clamp Installation

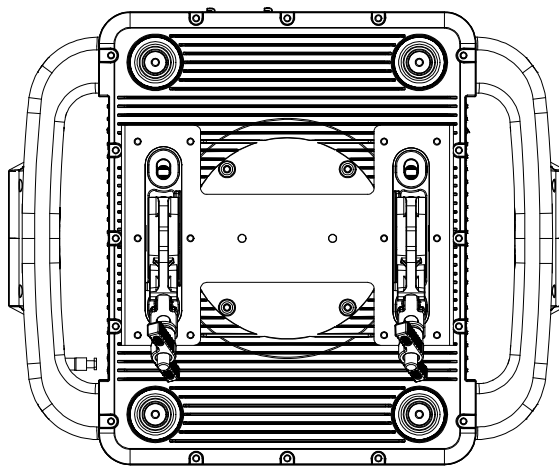
Install the G-clamp onto the base of the fixture, plug the G-clamp into the installation hole of the fixture's base. Rotate the quick lock plate into the slot tightly. Use the same installation method for the second G-clamp. (Pic10)

Fixture Installation

Fixture is installed on the stage or truss, and the G-clamp can be locked on the truss tightly and quickly. (Pic 11)

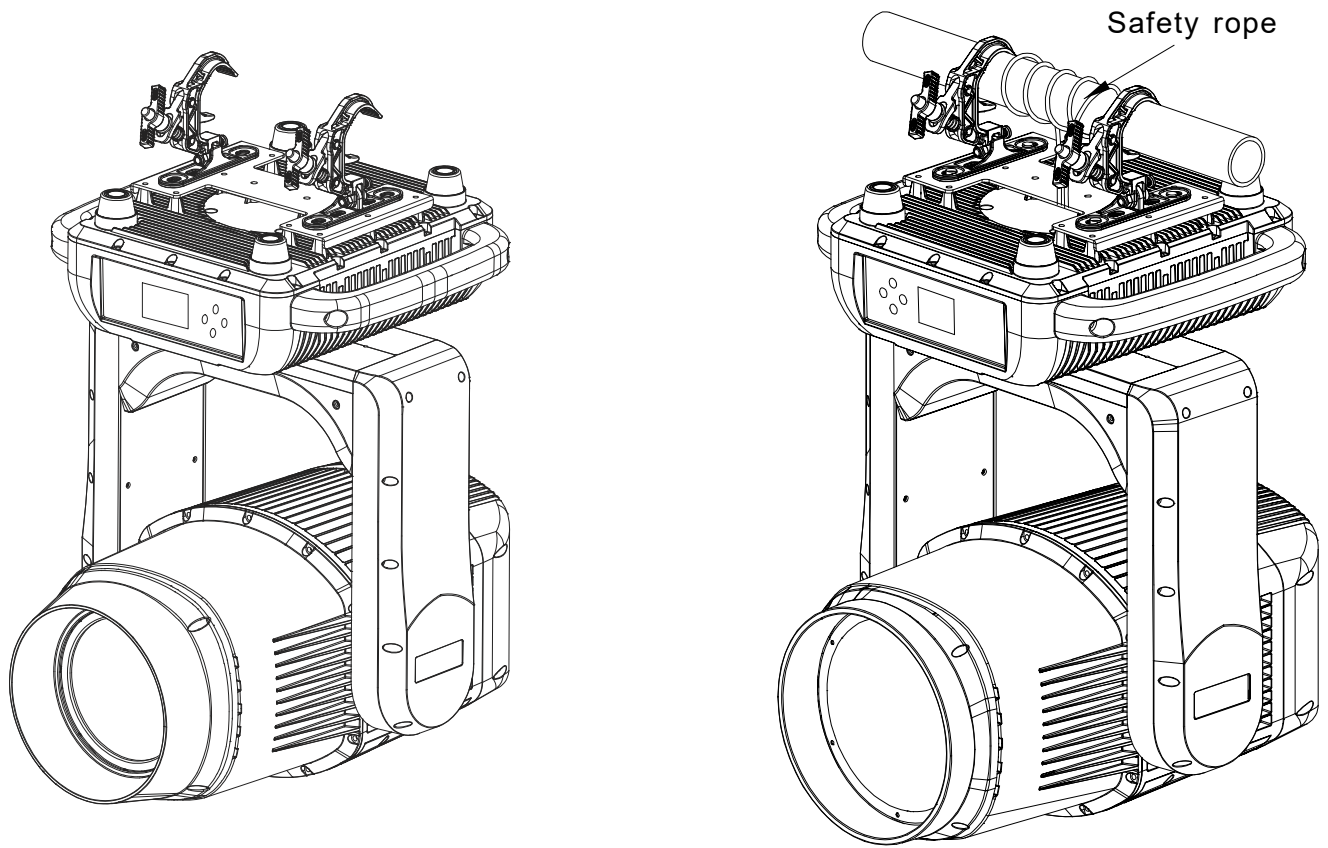
Notice:

- User must check if the G-clamp and safety chain are damaged or not.
- The fixture must be fixed by 2 G-clamps, clockwise turning them to fast-lock tightly, and adding a safety chain to connect the hole in the base, don't connect it to the handle.
- Please unlock the lock of tilt before power on.
- Side hanging for lang time is not recommended.



Pan position

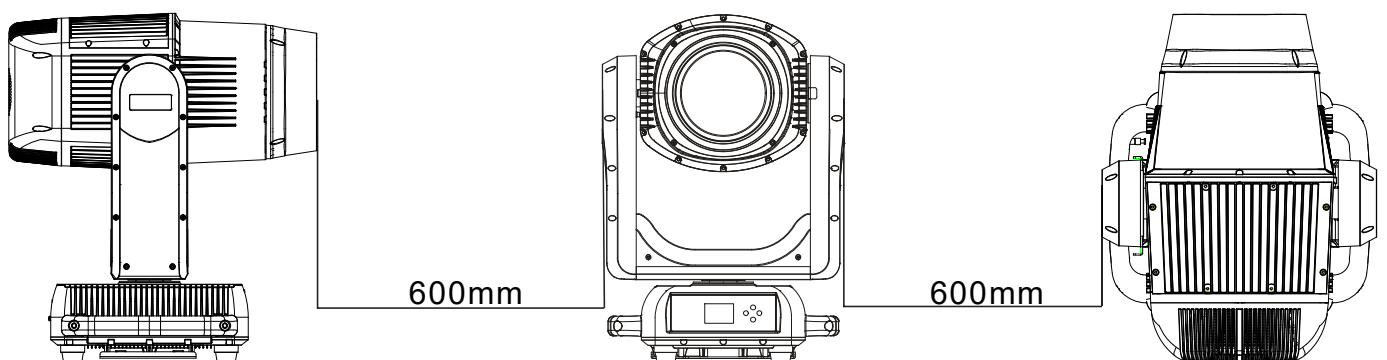
Pic10



Pic11

Fixture Placement

When place the fixture, please check there is no inflammable object or inflammable material around the fixture. Then place the fixture vertically upward. The shortest safety distance for adjacent fixtures is ≥ 0.6 m when they are working. Fixtures installation show as follow (pic 12).



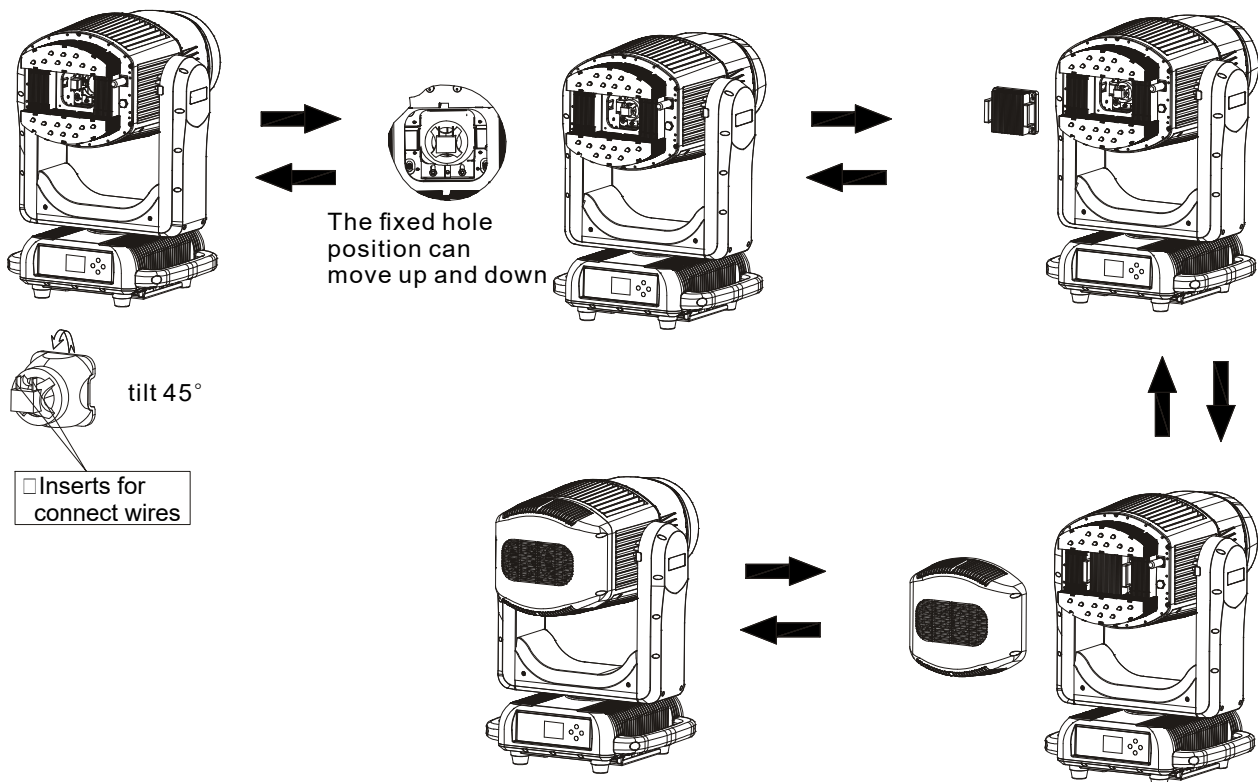
Pic12

Lamp Installation

- Light source: OSRAM SIRIUS HRI 482W

Replace the lamp

- When the lamp is on, please turn off the lamp, wait for the lamp is cooled sufficiently (usually 15 minutes) then cut off the electricity, and lock the tilt lock of the arm on pan position (Pic 13).
- When installing the lamp, please lock the fixture with tilt 135°, and avoid the internal wall of lamp touch the metal plate, gently place the lamp into the lamp slot holder with angle 45°, hold the lamp tight, push it in and give some pressure on the elastic pad, check if the angles of lamp are locked well. The installation of lamp is completed if it is locked well, otherwise it is not. Lock the fixture with tilt 135°, 45° then install the housing (Pic 13).
- When dismantle the lamp, lock the fixture with tilt 135°, 45° then dismantle the housing first, and then take out the fan, unscrew the screws for fixing the lamp, hold the lamp tight and give some pressure on the elastic pad, and wait till the other two angles of lamp are out then take out the lamp with angle of 45°. Please pay attention and avoid the clip touch the internal wall of lamp (Pic 13).



Pic13

DMX Channel Sheet (Brief)

Channel	24CH	28CH	36CH
1	Pan	Pan	Pan
2	Pan Fine	Pan Fine	Pan Fine
3	Tilt	Tilt	Tilt
4	Tilt Fine	Tilt Fine	Tilt Fine
5	Strobe	Strobe	Strobe
6	Dimmer	Dimmer	Dimmer
7	Dimmer Fine	Dimmer Fine	Dimmer Fine
8	Focus	Focus	Focus
9	Zoom	Focus Fine	Focus Fine
10	Cyan	Zoom	Zoom
11	Magenta	Cyan	Zoom Fine
12	Yellow	Magenta	Cyan
13	Homogenization	Yellow	Cyan Fine
14	Color Wheel	Homogenization	Magenta
15	Gobo1	Color Wheel	Magenta Fine
16	Gobo1 Rotation	Gobo1	Yellow
17	Fixed Gobo	Gobo1 Rotation	Yellow Fine
18	Prism1	Gobo1 Rotation Fine	Homogenization
19	Prism2	Fixed Gobo	Homogenization Fine
20	Prism1&2.R	Prism1	Color Wheel
21	Seven Color mirrors	Prism2	Gobo1
22	Frost	Prism1&2.R	Gobo1 Rotation
23	Macro function	Prism1&2.R Fine	Gobo1 Rotation Fine
24	Fixture Control	Seven Color mirrors	Fixed Gobo
25	–	Seven Color mirrors Fine	Prism1
26	–	Frost	Prism2
27	–	Macro function	Prism1&2.R
28	–	Fixture Control	Prism1&2.R Fine
29	–	–	Seven Color mirrors
30	–	–	Seven Color mirrors Fine
31	–	–	Frost
32	–	–	Fixture Control
33	–	–	Pan-Tilt Speed
34	–	–	Color Speed
35	–	–	Auto Focus&Zooming
36	–	–	Gobo Speed

DMX Specific Channel Sheet


24CH	28CH	36CH	Features	DMX Value	Function
1	1	1	Pan	0-255	0° ->540°
2	2	2	Pan Fine		
3	3	3	Tilt	0-255	0° ->270°
4	4	4	Tilt Fine		
5	5	5	Strobe	0-19	Off
				20-49	On
				50-200	Strobe, slow->fast
				201-210	On
				211-255	Random strobe, slow->fast
6	6	6	Dimmer	0-255	0%->100% Off->On
7	7	7	Dimmer Fine		
8	8	8	Focus	0-255	Far->near
-	9	9	Focus Fine		
9	10	10	Zoom	0-255	Far->near
-	-	11	Zoom Fine		
10	11	12	Cyan	0-255	0%->100%
-	-	13	Cyan Fine		
11	12	14	Magenta	0-255	0%->100%
-	-	15	Magenta Fine		
12	13	16	Yellow	0-255	0%->100%
-	-	17	Yellow Fine		
13	14	18	Homogenization	0-255	0%->100%
-	-	19	Homogenization Fine		
14	15	20	Color Wheel	0-127	0%->100%
				128-190	Anticlockwise Rotation,fast->slow
				191-192	Stop
				193-255	Clockwise Rotation,slow->fast
15	16	21	Gobo1	0-9	Open
				10-18	Gobo 1
				19-27	Gobo 2
				28-36	Gobo 3
				37-45	Gobo 4
				46-54	Gobo 5
				55-63	Gobo 6
				64-72	Gobo 7
				73-81	Gobo 8
				82-97	Gobo 1 shake,slow->fast
				98-113	Gobo 2 shake,slow->fast
				114-129	Gobo 3 shake,slow->fast
				130-145	Gobo 4 shake,slow->fast
				146-161	Gobo 5 shake,slow->fast
				162-177	Gobo 6 shake,slow->fast
				178-193	Gobo 7 shake,slow->fast
				194-209	Gobo 8 shake,slow->fast
				210~232	Anticlockwise Rotation,fast->slow
				233~255	Clockwise Rotation,slow->fast
				0-127	0-360°

16	17	22	Gobo1 Rotation	128-190	Anticlockwise Rotation,fast→slow
				191-192	Stop
				193-255	Clockwise Rotation,slow→fast
-	18	23	Gobo1 Rotation Fine		
17	19	24	Fixed Gobo	0-3	Open
				4-7	Gobo 1
				8-11	Gobo 2
				12-15	Gobo 3
				16-18	Gobo 4
				19-22	Gobo 5
				23-26	Gobo 6
				27-30	Gobo 7
				31-34	Gobo 8
				35-37	Gobo 9
				38-41	Gobo 10
				42-45	Gobo 11
				46-49	Gobo 12
				50-53	Gobo 13
				54-56	Gobo 14
				57-60	Gobo 15
				61-64	Gobo 16
				65-68	Gobo 17
				69-71	Gobo 18
				72-113	Anticlockwise Rotation,fast→slow
				114-117	Stop
				118-159	Clockwise Rotation,slow→fast
				160-165	Gobo 1 shake,slow→fast
				166-170	Gobo 2 shake,slow→fast
				171-175	Gobo 3 shake,slow→fast
				176-181	Gobo 4 shake,slow→fast
				182-196	Gobo 5 shake,slow→fast
				187-191	Gobo 6 shake,slow→fast
				192-197	Gobo 7 shake,slow→fast
				198-202	Gobo 8 shake,slow→fast
				203-207	Gobo 9 shake,slow→fast
				208-213	Gobo 10 shake,slow→fast
				214-218	Gobo 11 shake,slow→fast
219-223	Gobo 12 shake,slow→fast				
224-229	Gobo 13 shake,slow→fast				
230-234	Gobo 14 shake,slow→fast				
235-239	Gobo 15 shake,slow→fast				
240-245	Gobo 16 shake,slow→fast				
246-250	Gobo 17 shake,slow→fast				
251-255	Gobo 18 shake,slow→fast				
18	21	25	Prism1	0-63	Open
				64-255	Prism1
19	22	26	Prism2	0-63	Open
				64-255	Prism2

20	23	27	Prism1&2.R	0-127	0-360°
				128-190	Anticlockwise Rotation,fast→slow
				191-192	Stop
				193-255	Clockwise Rotation,slow→fast
-	24	28	Prism1&2.R Fine		
21	25	29	Seven Color mirrors	0-127	Open
				128-255	Effect 1
22	26	30	Frost	0-127	Open
				128-255	Frost linear insert
23	27	31	Macro function	0-255	
24	28	32	Fixture Control	0-9	Null
				10-14	Fixture rest
				15-29	Specification rest
				30-34	Pan-tilt rest
				35-39	Reserved
				40-44	Lamp On
				45-49	Lamp Off
				50-255	reserved
-	-	33	Pan-Tilt Speed	0-255	Stepping time from fast to slow
-	-	34	Color Speed	0-255	Stepping time from fast to slow
-	-	35	Auto Focus&Zooming	0-255	Stepping time from fast to slow
-	-	36	Gobo Speed	0-255	Stepping time from fast to slow

Maintenance & cleaning of the fixture

The fixture needs to be maintained and cleaned daily, because its lifespan depends on working environment and daily maintenance. Please contact our company engineer for any questions and feedback which are out of this user manual to our professional engineer.

Notes as bellow: 

- The power supply must be cut off before open the shell.
- Please open the shell after the fixture cooled completely
- Cleaning the optics components gently to avoid scratching the surface coating, To avoid damaging plastic and scratching the surface coating, Please don't use any harmful liquid or hard objects.
- Wiping the particulate Matter with tasteless tissue-paper or cotton cloth with clean, distilled water. Don't wipe the surface, but blow away floating things with pressure gas, any residues must be cleaned with distilled water from center to edge, and then dry it with soft cotton cloth.
- Please change the lens in time when it cracks or has other damages
- It is out of warranty any damage caused by fan with overmuch dust, smoke fluidity and abnormal using fixture.
- There is temperature protection device of the fixture, when the temperature is too high the LED module will be off automatically. When this happens, please check if the fan is working well or not. Plus, checking if the fan filter is blocked by dust. Please only reset the fixture after the qualified professional technicians finish troubleshooting.
- Weekly cleaning and maintenance for the fan filters and lens is recommended. Please do a complete maintenance half a year.

Troubleshooting

The following are some problems in process of operation, and there are some suggestions for troubleshooting:

Fixture doesn't response, when power on

- Check if power input is normal.
- Check if power switch is on.
- Check if fuse is burned.

Console losing control:

- Check if the display is flicker, if yes, check if DMX signal connector and signal cable are connected well.
- If the display is not flickering, but the fixture is still have no response to the control channel instructions, please check if IP address is correctly set.
- If DMX signal is not stable, please check XLR socket and signal cable are connected well.
- Change another console for testing.

channel failure:

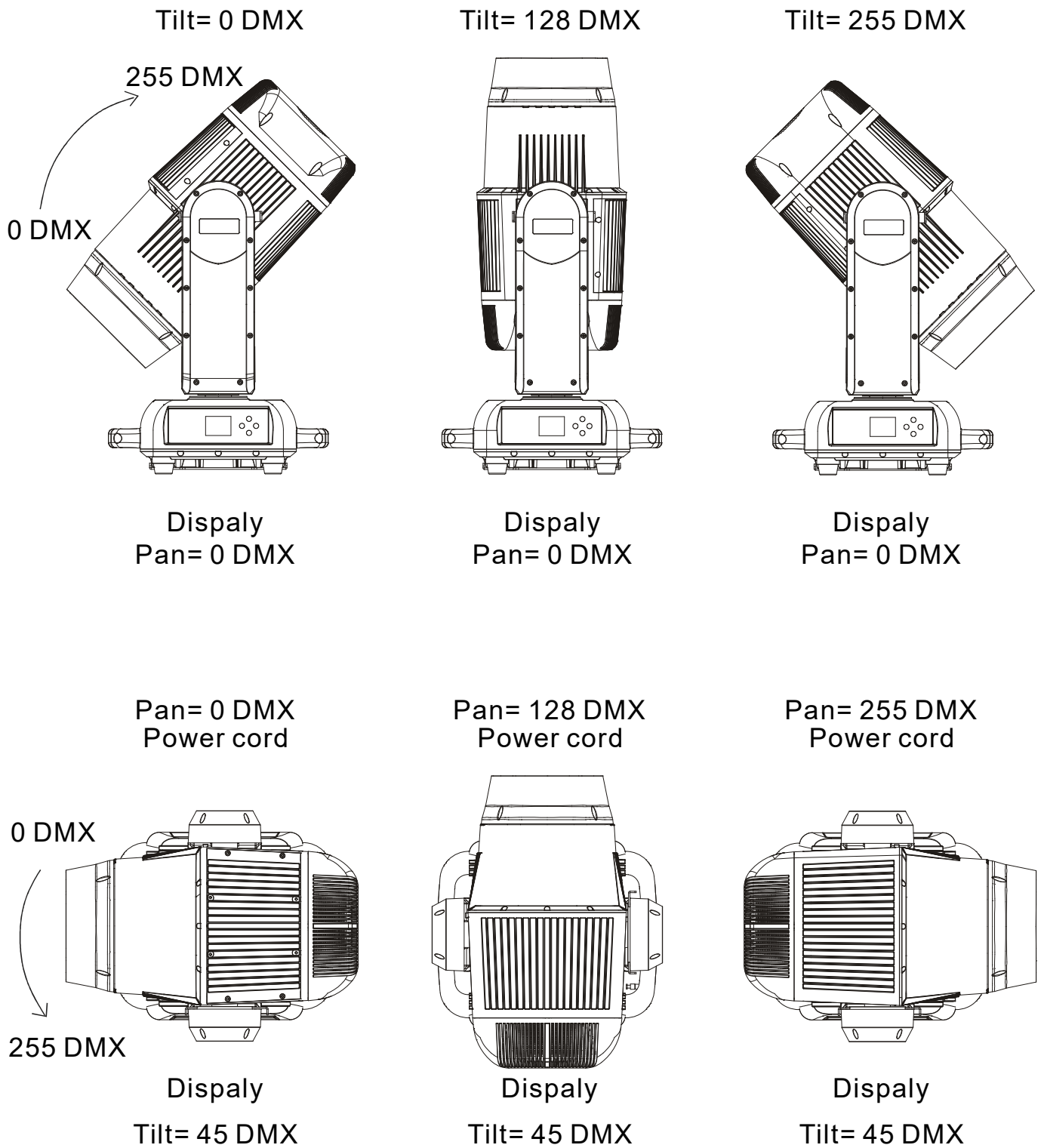
- Step motor or motor leading wire Maybe damaged.
- Drive circuit of motor may be damaged.

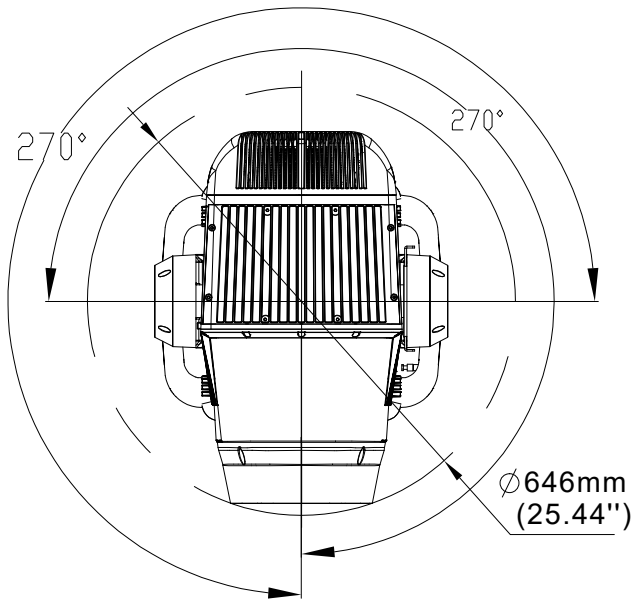
Lamp blinking:

- Check if the voltage is too high or too low, when the lamp is abnormal lighting.
- It is necessary to change the fan if the inner temperature is too high.

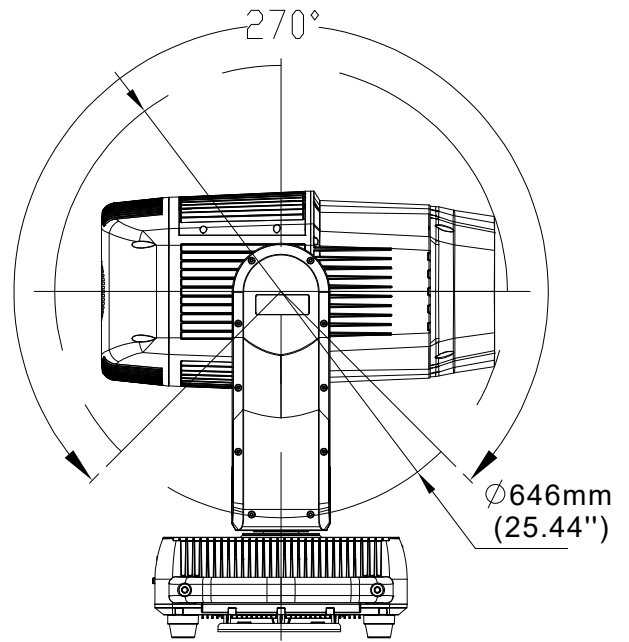
Attachment 1 : Angle range and the measurement figure of the fixture

● Angle range of the fixture



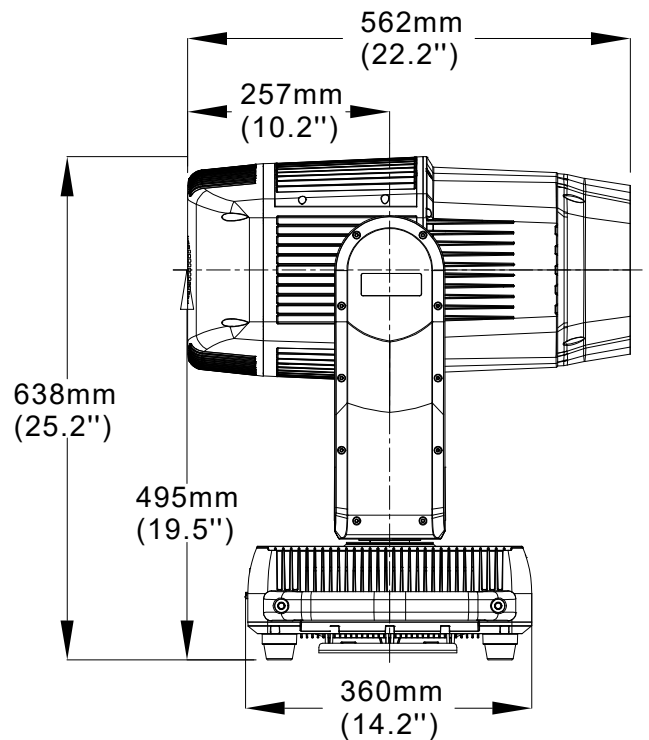
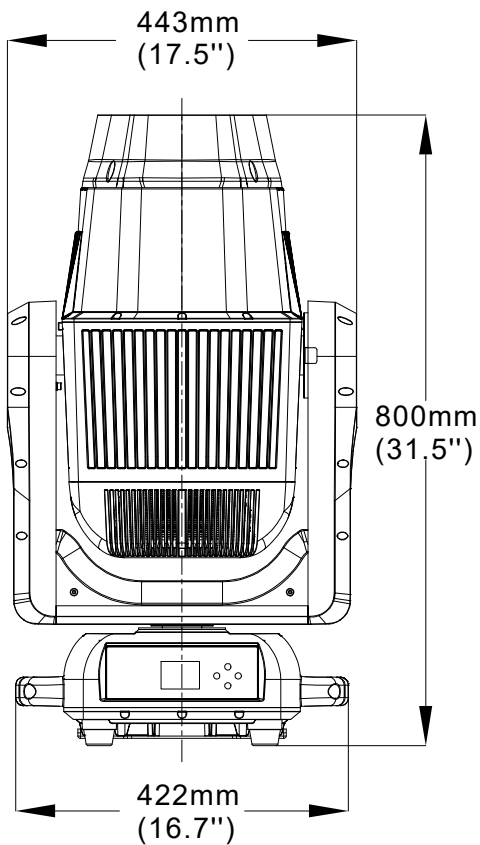


Pan position

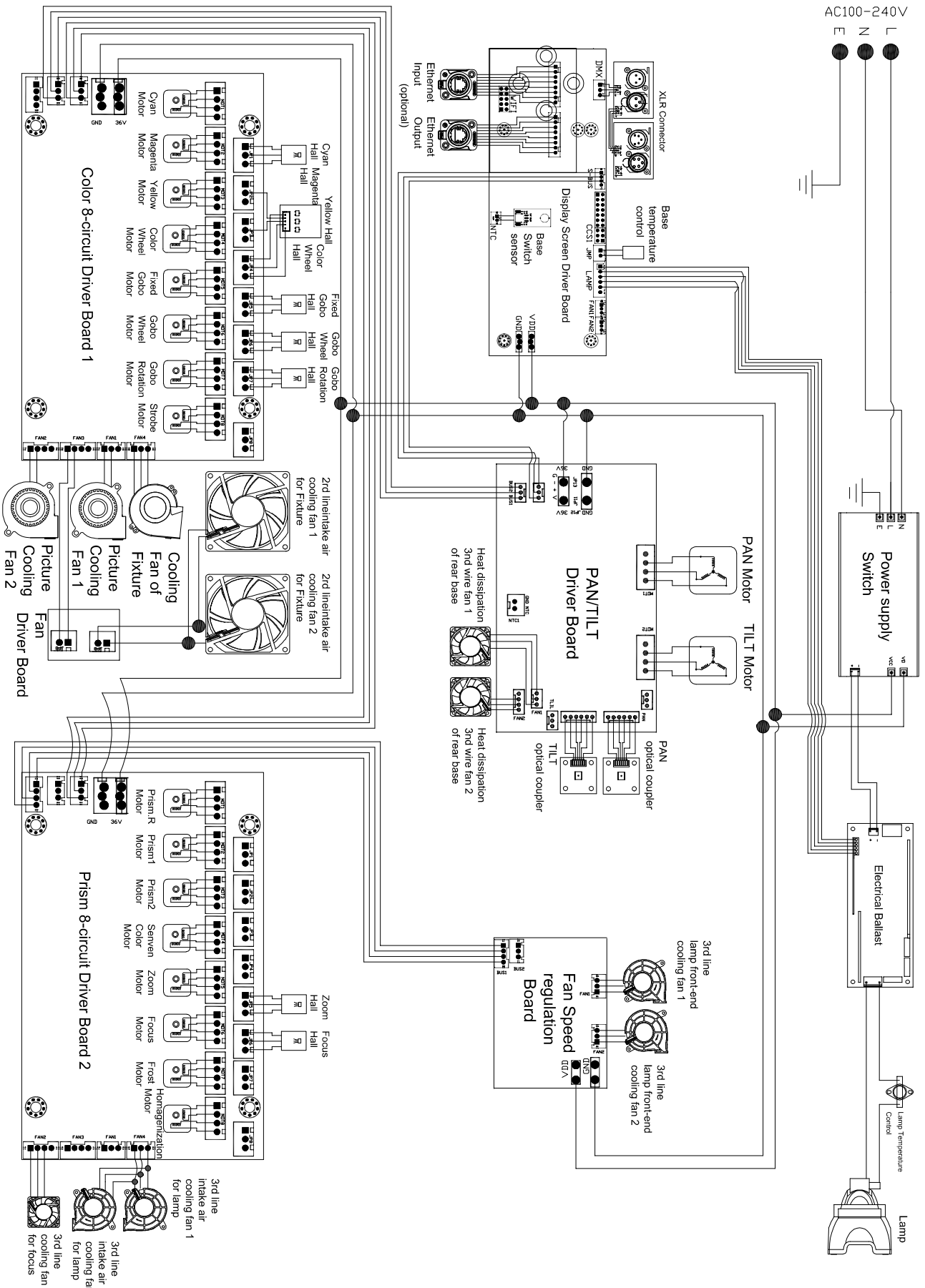


Tilt position

● **The measurement figure of the fixture**



Attachment 2 : Electrical Diagram





DREAMLIGHT



Guangzhou Dream Lighting Equipment Co., LTD

Add.No.21,Ruixiang Road, Xinhua Industrial Zone,
Huadu District, Guangzhou

Tel.020 8161 2345 Fax. 020 3686 6631

www.dlw-lighting.com